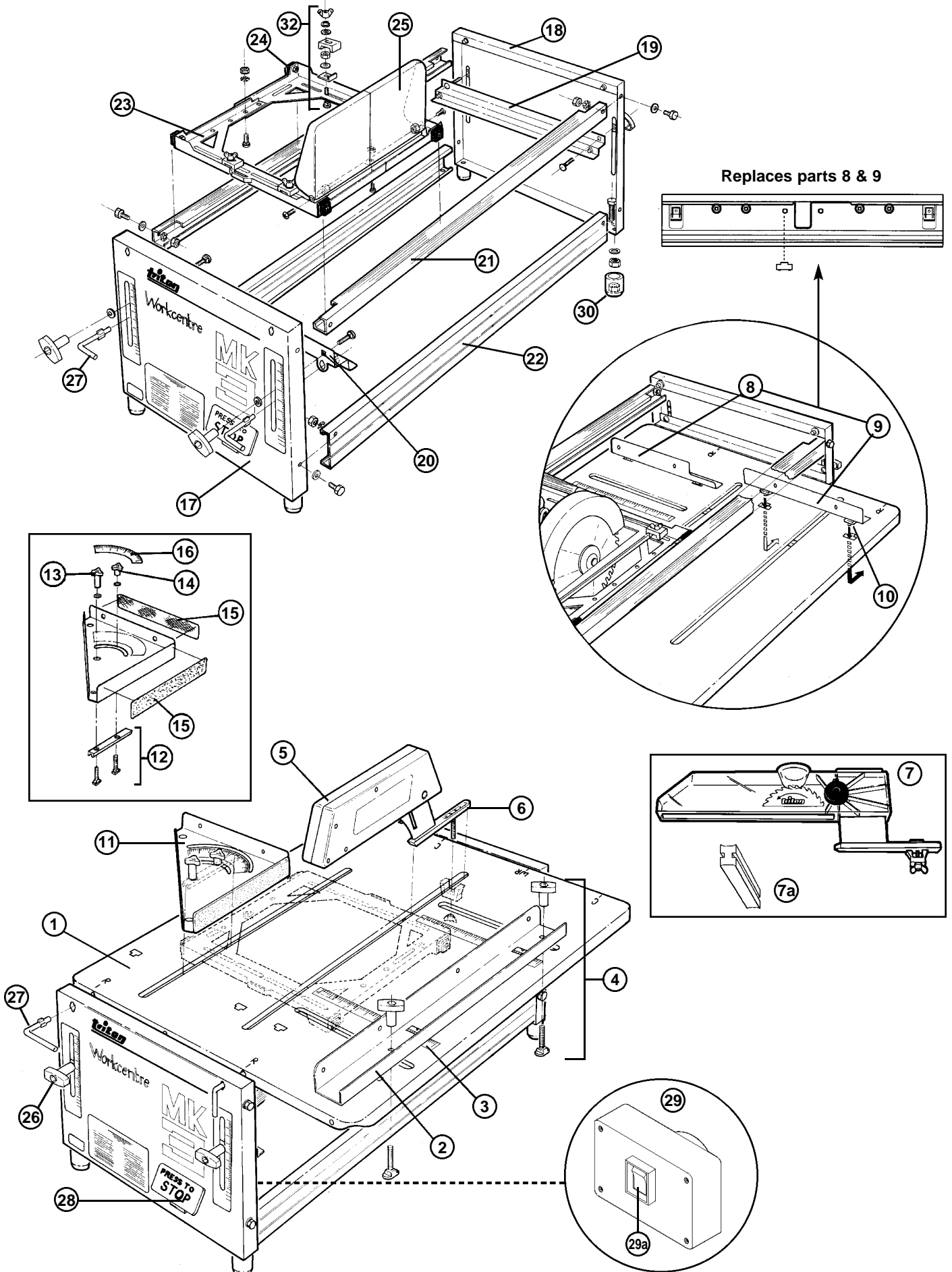


# MK3 New Series Workcentre - WCA001

Most parts will fit or adapt to suit early MK3 (1981 - late '84)



# MK3 New Series Workcentre - WCA001

Most parts will fit or adapt to suit early MK3 (1981 - late '84)

Diag. Ref.	Part No.	Description	Qty Supplied as Spare Part	Comments
-	PUA119	Packing Carton	1	
-	PUA006	Instruction Manual	1	
1	WCA002	Table Top	1	Suits MK3 & MK3/MK2 New Series
2	WCA028	Rip Fence (complete)	1	Includes (WCA125)
3	WCA016	Table Scales	1	Self Adhesive
4	WCA125	Rip Fence Clamp Set	2	T-handles & clamp bolts
5+6	WCA042	Overhead Guard (complete)	1	Incl. riving knife
5	WCA043	Overhead Guard with bolt & tri-knob	1	
6	WCA045	Riving Knife	1	Incl. T-bolt, U-clamp & wingnut
7	DCA001	Upgrade Guard for Dust Collection	1	Replaces WCA042/S
7a	DCA043	Saw Slot Infill Plug - MK3	1	
-	WCA338	Crosscut Fence	2	1 Replaces parts WCA034 & 038
8	-	Workstop Notched	1	Replace with part WCA338
9	-	Workstop Plain	1	Replace with part WCA338
10	WCA339	Workstop Nylon Feet	4	Includes bolts & nuts
11	WCA149	Protractor (complete)	1	
12	WCA024	Protractor Slider Strip Repair Kit	1	Incl. bolts
13	CPA005	Tri-knob Long	1	
14	CPA004	Tri-knob Short	1	
15	WCA150	Protractor Sandpaper Facings	2	
16	WCA140	Protractor Scale Label (45-0-45°)	1	Self adhesive
-	**	Protractor Scale Label (0-45°)	1	(Early type)
17	WCA049	Front Panel	1	Without fittings
18	WCA171	Rear Panel	1	Without fittings
19	WCA168	Table Support Rail (rear)	1	(Riveted)
20	WCA066	Table Support Rail (front)	1	
21	WCA448	Bearing Channel replacement kit	2	Incl. nuts, bolts & instructions
22	WCA096	Base Channel	1	
23	WCA073	Saw Slide Chassis	1	Includes bearings
-	WCA102	Saw Chassis Upgrade Kit	1	To suit MK3 Workcentres
24	WCA101	Nylon Bearings	4	Includes bolts & nuts
25	WCA160	Saw Side Guard (2 piece)	1	Incl. brackets, bolts & nut
26	WCA093	End Panel Fastener Bag	4	Incl. bolts & nylon scale pointers
27	WCA103	Locking Pins	2	
28	WCA058	Stop Plate (plastic)	1	
29	WCA180	Switchbox	1	Complete
29a	WCA056	Switch only 250v 16amp	1	
30	WCA104	Rubber Feet	4	Incl. bolts, nuts & washers
31K	CMA020	Tube Spanner	1	
31	WCA151	Fastener Bag Number 1	1	
32	WCA152	Fastener Bag Number 2 - Saw Clamps	1	
33	WCA153	Fastener Bag Number 3	1	
-	WCA304	Main Fastener Bag	1	Contains Fastener Bags 1, 2 & 3
33F	AGA001	Trigger Strap (Hook & loop)	1	

\*\* Available only from Triton - Victoria

## Specifications:

**Packed weight:** 26.60kg

**Paint:** Epoxy powder coat (oven cured)

**Bearing Channels & Rip Fence:** Aluminium

**Pack Size:** 950 x 690 x 90mm **Volume:** 0.059m<sup>3</sup>

**Main Body:** Telecom Gold / Charcoal Grey

**Bearings:** Nylon 66 **Sheet Metal Parts:** 1.60mm Mild Steel

# MK3 New Series Workcentre - WCA001

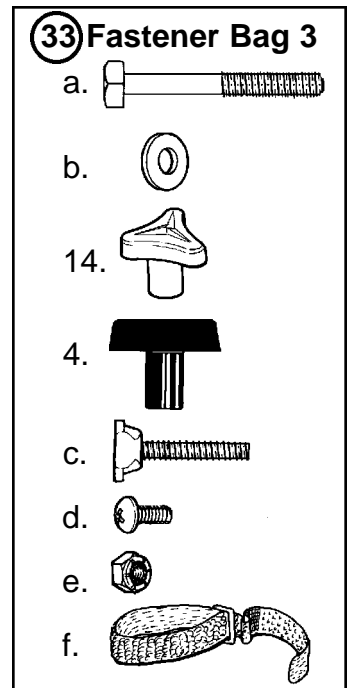
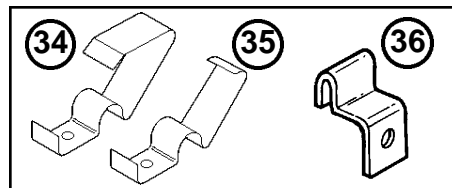
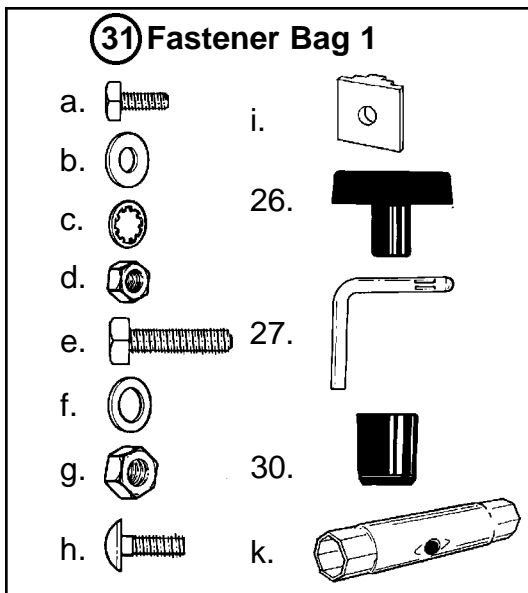
Most parts will fit or adapt to suit early MK3 (1981 - late '84)

34	**	Table Spring Latch (pair)	1	Suit tables with 12 x 12mm tube along saw slot.
35	**	Table Spring Latch (pair)	1	Suit tables with 12 x 9mm tube along saw slot.
36	WCA014**	Table / Chassis Locking lugs	2	Supplied with WCA102

## COMPONENTS NOT SUPPLIED SEPARATELY

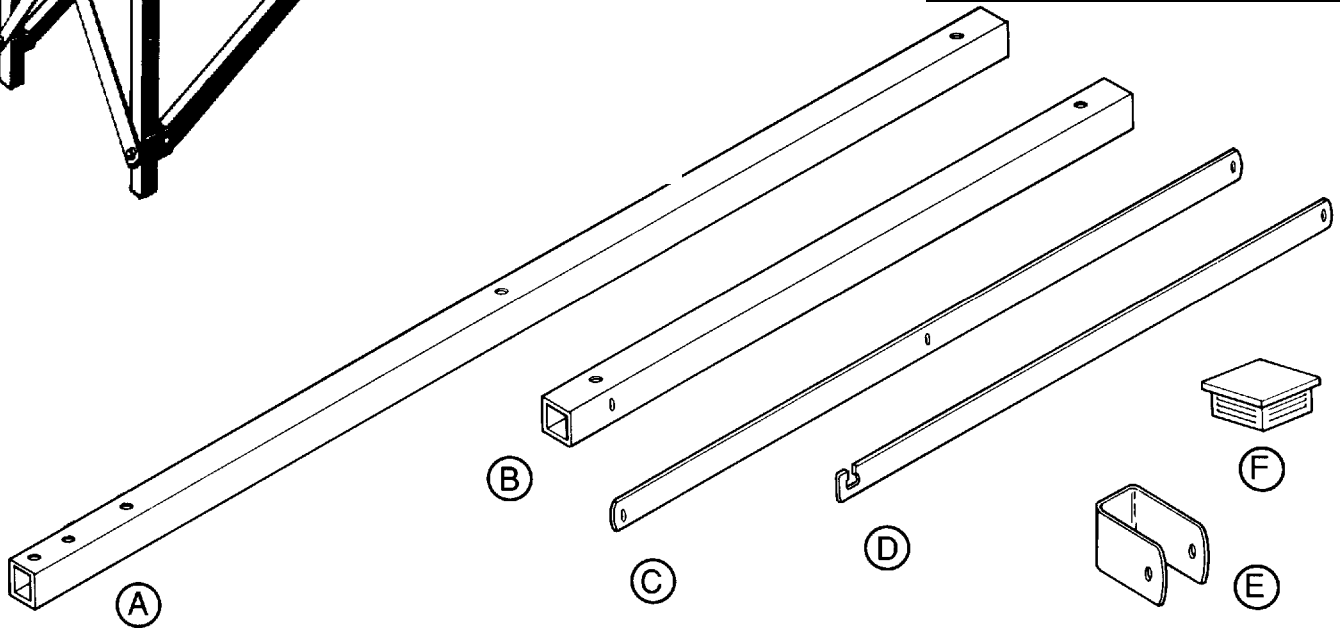
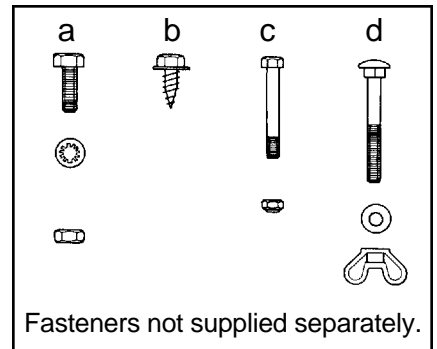
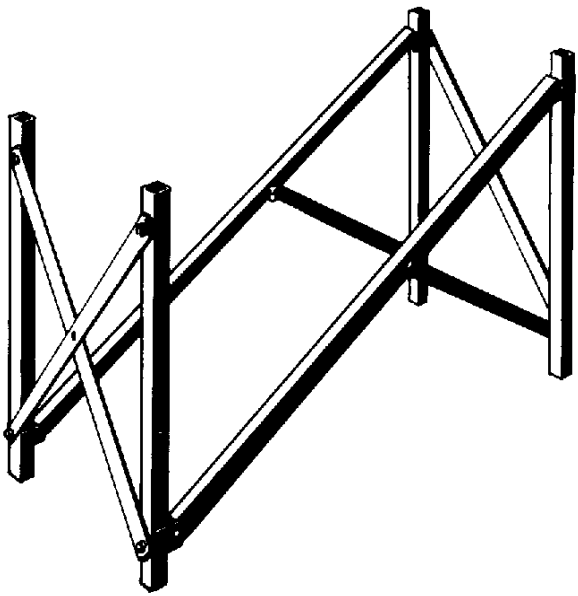
31a	-	1/4" x 1/2" Hex Bolt	8	} Available in WCA151	
31b	-	1/4" x 5/8" Flat Washer	8		
31c	-	1/4" Star Washer	8		
31d	-	1/4" Hex Nut	8		
31e	-	5/16" x 1 1/4" Hex Bolt	4		
31f	-	5/16" x 5/8" Flat Washer	4		
31g	-	5/16" Hex Nut	4		
31h	-	1/4" x 3/4" Coach Bolt	4		
31i	-	Nylon Scale Pointer	4		} Available in WCA151 or WCA093
32a	-	Saw Locator	3		
32b	-	Bevelled Saw Locator	1	} Available in WCA152	
32c	-	1/4" x 1 1/4" Coach Bolt	1		
32d	-	1/4" x 5/8" Flat Washer	8		
32e	-	1/4" Hex Nut	4		
32f	-	Saw Clamp	4		
32g	-	1/4" Spring Washer	4		
32h	-	1/4" Wing Nut	4		
32i	-	Special Saw Clamp	1		
32j	-	1/4" x 1/2" Coach Bolt	1		
33a	-	1/4" x 2" Hex Bolt	1		Available in WCA153
33b	-	1/4" x 5/8" Flat Washer	1	Available in WCA151	
33c	-	1/4" x 1 7/16" Fence Clamping Bolt	2	Available in WCA125	
33d	-	3/16" x 3/8" Screw	3	Available in WCA153	
33e	-	3/16" Nyloc Nut	3	Available in WCA153	

\*\* Available only from Triton - Victoria



# Folding Stand - STA001

Suits MK3 Workcentres. Will adapt to suit MK1 & MK2 models.



Diag. Ref.	Part No.	Description	Qty Supplied as Spare Part	Comments
-	PUA127	Packing Carton	1	
-	PUA256	Packing List	1	
-	PUA111	Assembly Instructions	1	
A	CMA006	Diagonal Tube	1	
B	STA021	Leg	1	
C	STA015	Crossbrace Strap	1	
D	CMA001	Hooked Strap	1	
-	STA020	Fastener Bag	1	Contains a, b, c, d, E & F.
E	CMA004	Saddle	1	Packed in Fastener Bag
F	CPA013	Tube Closer	1	Packed in Fastener Bag
a	-	1/4" x 1/2" hex bolt, 1/4" hex nut & star washer	2	} Only available in Fastener Bag
b	-	#14 x 9/16" hex head self-tapping screws	8	
c	-	3/16 x 1 5/8 hex bolts, Nyloc nuts to suit	6	
d	-	1/4" x 2" coach bolts. Wingnuts & flat washers	2	

## Specifications:

**Packed weight:** 8.80kg

**Packed size:** 1005 x 100 x 65mm

**Volume:** 0.007m<sup>3</sup>

**Paint:** Epoxy powder coat (oven cured) **Colour:** Charcoal grey

**Tube size:** 30mm Square x 1.6mm mild steel **Strap:** 1" x 1/8" mild steel